

**A172.8-UG-VR Series**  
**MODEL A172408S-UG-VR**

BARRIER FREE, VANDAL RESISTANCE  
BUTTON, UNIVERSAL BI-LEVEL,  
WALL MOUNTED WATER COOLER

**STANDARD FEATURES**

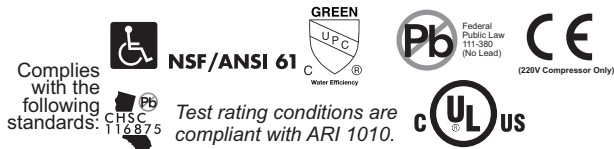
- Child Or Adult Ada Compliant (When Properly Installed)
- Universal Bi-Level - Can Be Installed Left Unit High, Right Unit Low Or Opposite With No Additional Parts Required.
- Apron and One-Piece Bottom Wrapper is Satin Finish Or Gray Powder Coat Finish
- 304 Stainless Steel Basin and Flush Mounted Chrome Plated Brass Button
- Polished Stainless Steel, Anti-Rotation, Non-Squirt Bubblers
- 100-Mesh Inlet Strainer
- Individual Hanging Brackets Provided
- Auto-stop allows Cartridge and Strainer Service Without Shutting Off Water Supply Stop
- Lead-Free
- Rough-Ins Match Other Manufacturer's for Easy Replacement

**SUGGESTED SPECIFICATIONS**

Model A172408S-UG-VR is a Bi-Level, self-contained, pressure Water Cooler that shall deliver a minimum of **8.0 GPH** (30.3 LPH) of water at 50°F (10°C) cooled from 80°F (26.7°C) inlet water and 90° (32.2°C) ambient. Units shall be activated by Vandal Resistant Chrome Plated Brass Front Pushbuttons by using less than 5 pounds of force. Bubblers shall be Lead-Free Stainless Steel with an integrally designed non-squirt feature and operate on a water pressure range of 20-105 PSIG. Tops shall be constructed from 304 Stainless Steel and have an Integral Drain. Cabinet shall be Stainless Steel with Satin Finish or Galvanized/Galvannealed Steel with Gray Powder Coat Finish. Cooling system shall use R-134a Refrigerant and be Capillary Tube controlled. An Adjustable Thermostat with an "off" position shall control the refrigeration system. Unit is certified to ANSI A117.1 and NSF/ANSI 61, Section 9 requirements and Public Law 111-380. Fixture meets ADA, ADA Standing Person, and ADA Child requirements when mounted appropriately. Unit shall be listed by Underwriters Laboratories for both the US and Canada, compliant to the Air Conditioning and Refrigeration Institute Standard 1010. Unit shall still deliver ambient water temperature to the Bubbler in the absence of electrical power as long as there is a pressurized water supply.

Model Number	GPH*	Rated Watts	Full Load Amps	Approx. Shipping Weight
A172408S-UG-VR	8.0	335	4.4	140 lbs.

\* GPH of 50°F water at 90°F ambient room temperature and 80°F inlet water temperature  
Compressor motor operates on 115 Volt / 60 Hz single phase.



**"RATED FOR INDOOR AND OUTDOOR USE"**

**MODEL:**

(Must Specify)

**FLEXIBLE BUBBLER**

- A172108F-UG-VR Gray Finish
- A172408F-UG-VR Satin Stainless Finish

**STAINLESS STEEL BUBBLER**

- A172108S-UG-VR Gray Finish
- A172408S-UG-VR Satin Stainless Finish (Standard, Shown)

**OPTIONS:**

(additional costs may apply)

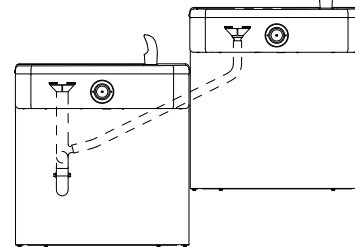
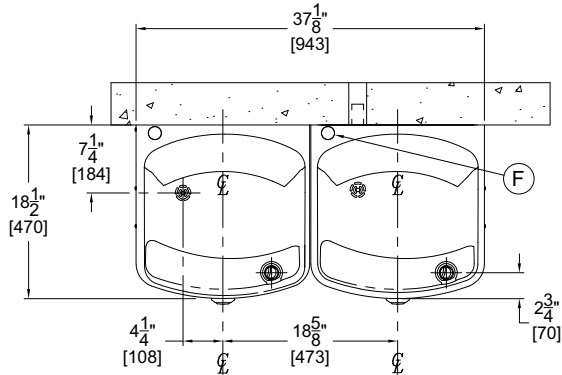
- BP8 Back Panel, Stainless Steel
- CSC6 Concealed Support Carrier
- DD Drop Down Door (with -WF1 Only)
- LOGO Customer Specified Logo / Graphics
- SK5 Skirt Kit for upper unit
- WF1 1500-Gallon Capacity, NSF42+53, 1-Micron Lead Reduction Filter
- WF3 3000-Gallon Capacity, NSF42+53, 1-Micron Lead Reduction Filter
- 220v 220 Volt / 50 Hz or 60 Hz Compressor



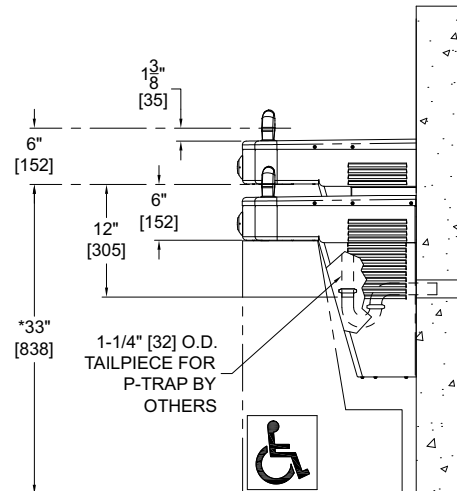
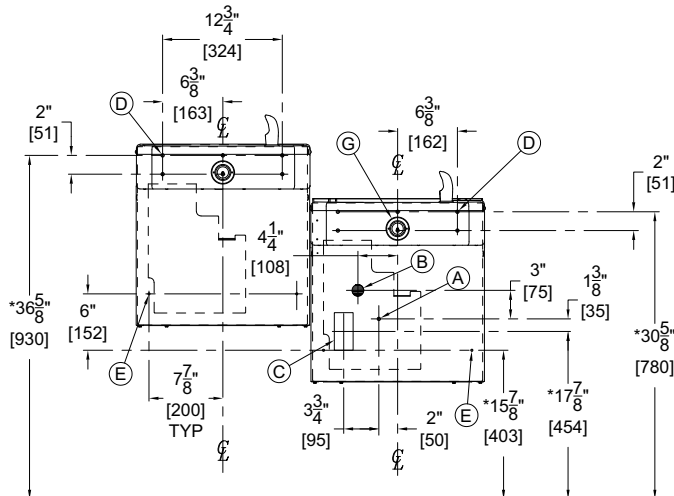
**WARNING:** Cancer and Reproductive Harm - [www.P65Warnings.ca.gov](http://www.P65Warnings.ca.gov)

**A172.8-UG-VR Series**

**MODEL A172408S-UG-VR**  
BARRIER FREE, VANDAL RESISTANCE  
BUTTON, UNIVERSAL BI-LEVEL,  
WALL MOUNTED WATER COOLER



ALTERNATE MOUNTING  
CONFIGURATION



**GENERAL NOTES:**

1. ALL DIMENSIONS ARE IN INCHES [MM]
2. ALLOW 4 INCHES [102MM] MINIMUM CLEARANCE PER SIDE FOR VENTILATION
- \*3. DIMENSIONS SHOWN ARE FOR ADA ADULT HEIGHT. ADJUST VERTICAL DIMENSIONS AS NECESSARY TO COMPLY WITH FEDERAL, STATE & LOCAL CODES
4. STOP VALVE, P-TRAP & ELECTRICAL OUTLET NOT SUPPLIED
5. IMPORTANT: COOLERS MUST BE ATTACHED TO WALL WITH APPROPRIATE ANCHOR SCREWS

- A. 3/8" O.D. SUPPLY INLET
- B. WASTE OUTLET FOR P-TRAP BY OTHERS FOR PROVIDED 1-1/4" O.D. TAILPIECE
- C. ELECTRICAL SERVICE ROUGH
- D. Ø3/8" HANGER BRACKET PUNCHING, 6 PLACES ON EACH FIXTURE FOR ANCHORING HARDWARE BY OTHERS
- E. Ø1/4" PUNCHING, 2 PLACES ON EACH FIXTURE FOR ANCHORING HARDWARE, BY OTHERS
- F. REMOVABLE PLUG FOR BOTTLE FILLER
- G. VANDAL RESISTANT PUSHBUTTON CARTRIDGE

Murdock Mfg.™ warrants that its products are free from defects in material or workmanship under normal use and service for a period of one year from date of shipment. Murdock's liability under this warranty shall be discharged solely by replacement or repair of defective material, provided Murdock™ is notified in writing within one year from date of shipment, F.O.B. Industry, California.

**SELECTION SUMMARY  
& APPROVAL FOR  
MANUFACTURING**

Model Number & Options \_\_\_\_\_ Quantity \_\_\_\_\_

Company \_\_\_\_\_

Contact \_\_\_\_\_ Title \_\_\_\_\_

Signature \_\_\_\_\_ Date \_\_\_\_\_  
(Approval for Manufacturing)

All dimensions are subject to manufactures tolerance of plus or minus 1/2" nominal and subject to change without notice. Murdock assumes no responsibility for use of void or superseded data. Dimensions may change with the addition of optional accessories. Murdock Mfg.™, Member of Morris Group International™. Please visit [www.murdockmfg.com](http://www.murdockmfg.com) for most current specifications.